

# MUELLER



## ADVANCED SERVING BEER TANKS

Serving beer tanks are an advanced bulk storage solution perfect for bars and brewhouses. They provide fresher beer with a longer shelf life at lower costs and eliminate the labor-intensive handling that kegs require.

With Bottom  
Or Front Outlet

The piercing unit of the **advanced serving beer tank with bottom outlet** is attached to the bottom. Available models: 250, 500, 1000, and 1500 liters.

The piercing unit of the **advanced serving beer tank with front outlet** is attached to the front. Great advantage: space saving through compact stacking. Available models: 500, 1000, and 1500 liters.

### CERTIFIED

Paul Mueller Company serving beer tanks are ASME Code stamped and standard certified under PED 97/23/EG.

### Advanced Serving Beer Tank Options:

- Hinged manway cover
- Model for use without inliners
- Sampling valve connection
- Temperature sensor connection
- Mobile support or transport frame

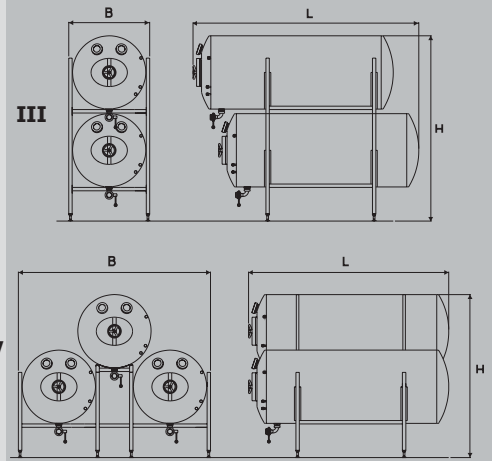
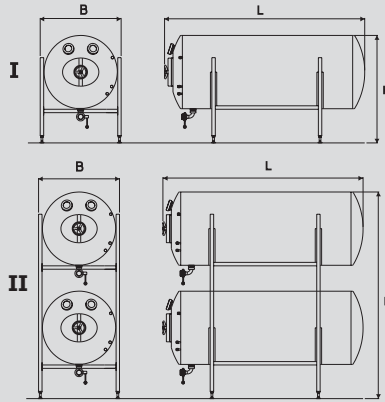
Mueller® beer tanks can be supplied with and without cooling and insulation.



Piercing unit advanced serving beer tank front.

Piercing unit advanced serving beer tank bottom.

### Advanced Serving Beer Tank (Bottom Outlet)



#### INSULATED TANK DIMENSIONS

Drawing	Contents liters	Width (B) mm	Height (H) mm	Length (L) mm
I	250	795	1,100*	1,035
	500	795	1,100*	1,870
	500	950	1,269*	1,315
	1,000	950	1,260*	2,350
	1,500	950	1,260*	3,390
II	250	795	2,100*	1,035**
	500	795	2,100*	1,870
	500	950	2,425*	1,315
	1,000	950	2,425*	2,350
	1,500	950	2,425*	3,390
III	250	795	1,855*	1,235**
	500	795	1,855*	2,070
	500	950	2,175*	1,615
	1,000	950	2,175*	2,650
	1,500	950	2,175*	3,690
IV	250	1,935	1,590*	1,035**
	500	1,935	1,590*	1,870
	500	2,255	1,915*	1,315
	1,000	2,255	1,915*	2,350
	1,500	2,255	1,915*	3,390

#### SINGLE-WALL TANK DIMENSIONS

Drawing	Width (B) mm	Height (H) mm	Length (L) mm
I	725	1,030*	985
	725	1,030*	1,820
	880	1,190*	1,290
	880	1,190*	2,320
	880	1,190*	3,360
II	725	2,035*	985**
	725	2,035*	1,820
	880	2,355*	1,290
	880	2,355*	2,320
	880	2,355*	3,360
III	725	1,785*	1,135**
	725	1,785*	1,970
	880	2,105*	1,590
	880	2,105*	2,620
	880	2,105*	3,660
IV	1,795	1,152*	985**
	1,795	1,152*	1,820
	2,155	1,800*	1,290
	2,155	1,800*	2,320
	2,155	1,800*	3,360

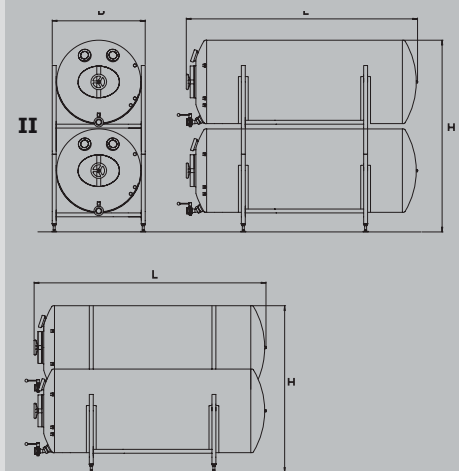
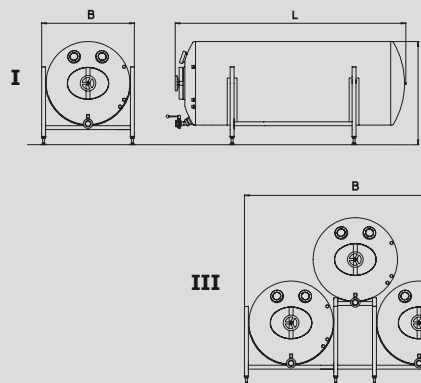
\* (+/- 20mm) height flexible by using assembling set. \*\*Support frame necessary (=360mm extra).

### TECHNICAL SPECIFICATIONS

<b>Material</b>	Stainless steel AISI 304 (DIN 1.4301)	
<b>Insulation*</b>	35mm polyurethane foam	
<b>CO2/compressed air connection</b>	Nipple 3/4" BSP on front side tank	
<b>Cooling water connection*</b>	2 x nipple 3/4" NPT on front side tank	
<b>Frame</b>	See drawing	
<b>Cooling coil pressure drop in psi*</b>	250 liter	1-2
	500 liter	2-3
	1,000 liter	4-5
	1,500 liter	5-6
<b>Max. working pressure, ASME Code stamped</b>	30 psig	

\*Only applicable with the insulated version.

### Advanced Serving Beer Tank (Front Outlet)



#### INSULATED TANK DIMENSIONS

Drawing	Contents liters	Width (B) mm	Height (H) mm	Length (L) mm
I	500	950	1,065*	1,315
	1,000	950	1,065*	2,350
II	500	950	1,980*	1,315
	1,000	950	1,980*	2,350
	1,500	950	1,980*	3,390
III	500	2,225	1,690*	1,315
	1,000	2,225	1,690*	2,350
	1,500	2,225	1,690*	3,690

#### SINGLE-WALL TANK DIMENSIONS

Drawing	Width (B) mm	Height (H) mm	Length (L) mm
I	880	1,000*	1,290
	880	1,000*	2,320
II	880	1,875*	1,290
	880	1,875*	2,320
	1,875	2,320*	3,360
III	2,155	1,615*	1,290
	2,155	1,615*	2,320
	2,155	1,615*	3,690

\* (+/- 20mm) height flexible by using assembling set.

It is possible that some of the information in this brochure may deviate from the actual specification. Consequently, no rights may be reserved with respect to the information contained in this brochure.